



A Solution For ————— .
COZY & ENERGY EFFICIENT LIVING



PANEL RADIATORS

INDEX

- 02 ABOUT US
- 03 TP11RADIATOR
BLUE SERIES-11 TYPE
- 04 TP11RADIATOR
HEAT OUTPUT
- 05 TP21RADIATOR
YELLOW SERIES-21 TYPE
- 06 TP21RADIATOR
HEAT OUTPUT
- 07 TP22RADIATOR
RED SERIES-22 TYPE
- 08 TP22RADIATOR
HEAT OUTPUT
- 09 WATER CAPACITY (L)
- 10 WEIGHTS IN KGS
- 11 HEATING | TOWEL RAILS
- 12 HEATING | RADIATOR VALVES

ABOUT US

Britocean Bathrooms is a renowned name in the Bathroom Fittings and Accessories Industry. Our commitment to excellence extends from the selection of top-notch materials to the incorporation of advanced techniques, resulting in faucets that stand the test of time.

Your home heating system can be time-consuming and expensive to maintain. Introducing a whole new range of Radiators in the Heating Range, ensuring our central heating radiators are simple to install and operate. We aim towards meeting your heating needs with elegant design at reasonable cost.

“ Navigating the Challenges for a Big Journey ”



These energy-efficient electric heaters that can be wall mounted come with a variety of energy-saving features. A huge stock of Heating Panels is available in various sizes. Maintaining a high-level service with next day-delivery facility. room in a desired temperature.

These energy-efficient electric heaters that can be wall mounted come with a variety of energy-saving features, including 24/7 programming also proving a money-saving option. It evenly distributes the heat in the room in a desired temperature.

COLOUR SERIES RADIATORS



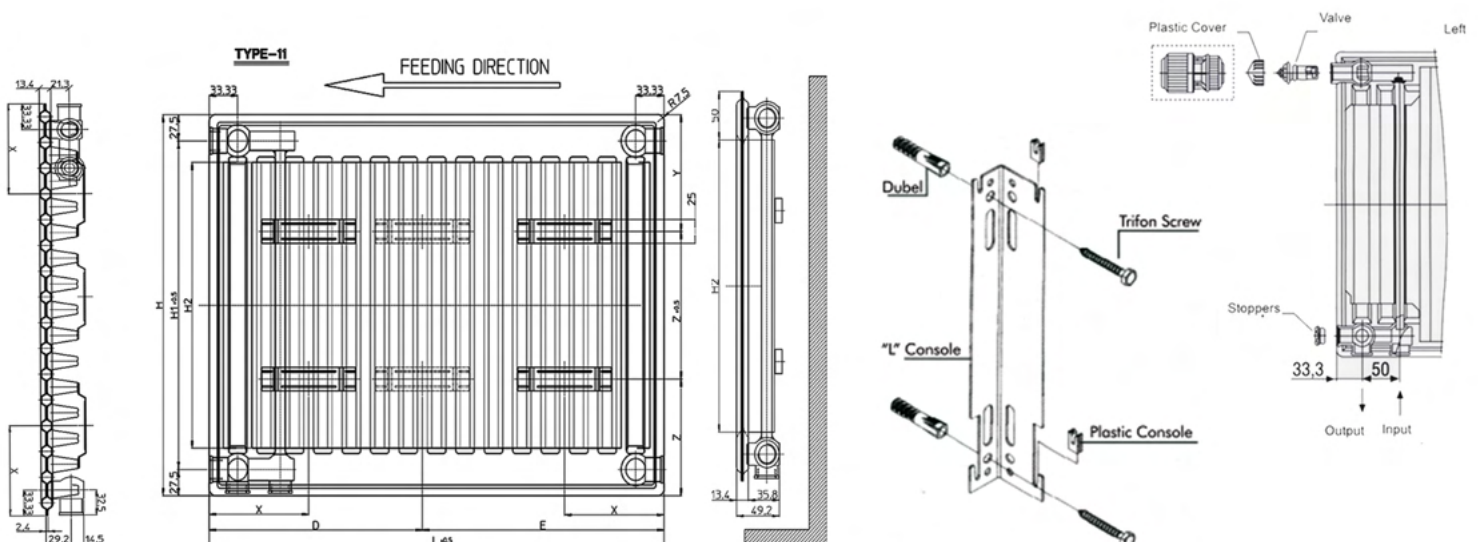
TP11RADIATOR BLUE SERIES-11 TYPE

Britocean Flat Panel Radiators are one of the excellent options to keep your indoor space warm and cosy year-round, regardless the size and shape of the room.



PANEL TYPES	PRODUCT CODES	RRP (IN £)
40HX60W	11PK40HX60W-BLUE	£47.00
40HX80W	11PK40HX80W-BLUE	£79.00
40HX100W	11PK40HX100W-BLUE	£65.00
50HX100W	11PK50HX100W-BLUE	£90.00
50HX120W	11PK50HX120W-BLUE	£115.00
50HX140W	11PK50HX140W-BLUE	£130.00
60HX40W	11PK60HX40W-BLUE	£49.00
60HX60W	11PK60HX60W-BLUE	£69.00
60HX80W	11PK60HX80W-BLUE	£85.00
60HX100W	11PK60HX100W-BLUE	£109.00
60HX120W	11PK60HX120W-BLUE	£129.00
60HX140W	11PK60HX140W-BLUE	£149.00
60HX160W	11PK60HX160W-BLUE	£169.00

FITTING DIMENSIONS AND BRACKET DETAILS



TP11RADIATOR HEAT OUTPUT

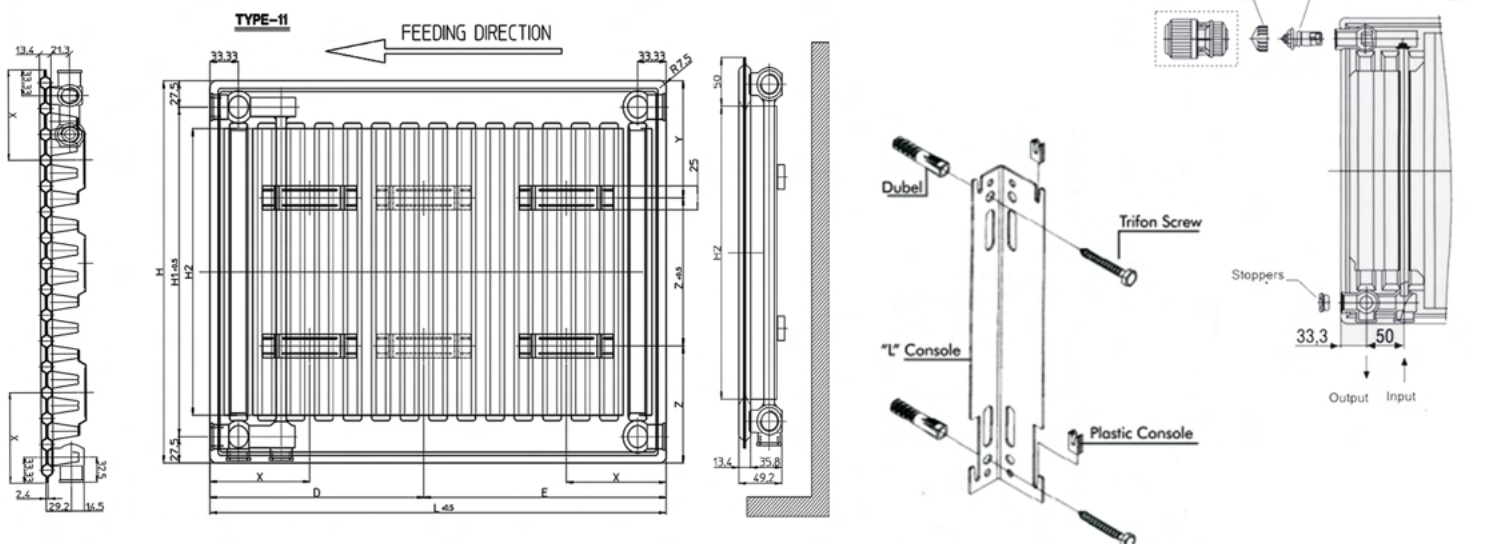
TYPE11	Temperature	300		400		500		600		900		
		LENGTH	°C	kCal/h	Watt	kCal/h	Watt	kCal/h	Watt	kCal/h	Watt	
300	75/65		132	154	170	198	206	240	241	280	329	383
	90/70		168	196	217	252	262	305	306	356	418	487
400	75/65		177	205	227	264	275	319	321	373	439	510
	90/70		225	262	289	336	350	406	409	476	557	648
500	75/65		221	257	284	330	343	399	401	466	549	638
	90/70		280	326	361	420	438	509	511	594	697	810
600	75/65		265	308	341	397	412	479	481	559	659	766
	90/70		337	392	433	504	525	610	614	714	836	972
700	75/65		309	359	397	462	481	559	562	654	769	894
	90/70		393	457	506	588	613	713	715	832	976	1134
800	75/65		353	411	455	529	549	639	643	747	878	1021
	90/70		449	522	579	673	700	814	818	951	1115	1297
900	75/65		397	462	511	594	618	719	723	840	988	1149
	90/70		505	588	650	756	787	915	920	1070	1254	1458
1000	75/65		442	514	568	661	688	800	803	934	1098	1277
	90/70		562	653	723	841	875	1018	1022	1188	1394	1621
1100	75/65		486	565	625	726	756	880	883	1027	1208	1405
	90/70		618	719	795	924	962	1119	1125	1308	1533	1782
1200	75/65		530	616	682	793	825	959	963	1120	1318	1532
	90/70		674	783	867	1009	1050	1220	1226	1426	1673	1945
1300	75/65		574	668	738	858	894	1039	1043	1213	1427	1659
	90/70		730	849	939	1092	1138	1323	1329	1546	1812	2107
1400	75/65		618	719	795	924	962	1119	1124	1307	1537	1787
	90/70		787	915	1012	1176	1225	1424	1431	1664	1951	2269
1500	75/65		662	770	852	991	1031	1199	1204	1400	1647	1915
	90/70		842	979	1084	1261	1313	1527	1534	1783	2091	2431
1600	75/65		707	822	908	1056	1100	1279	1284	1493	1757	2043
	90/70		899	1045	1156	1344	1400	1628	1636	1902	2230	2593
1700	75/65		751	873	966	1123	1169	1359	1364	1586	1866	2170
	90/70		955	1111	1229	1429	1487	1729	1737	2020	2370	2755
1800	75/65		795	924	1022	1188	1237	1439	1444	1679	1976	2297
	90/70		1011	1175	1300	1512	1575	1832	1840	2140	2508	2917
1900	75/65		839	976	1079	1255	1306	1518	1525	1773	2086	2425
	90/70		1067	1241	1373	1597	1663	1933	1942	2258	2648	3079
2000	75/65		883	1027	1136	1320	1375	1598	1605	1866	2196	2553
	90/70		1124	1306	1445	1680	1750	2035	2045	2378	2788	3242
2100	75/65		927	1078	1193	1387	1443	1678	1686	1960	2306	2681
	90/70		1179	1371	1518	1765	1838	2137	2146	2496	2927	3403
2200	75/65		972	1130	1249	1453	1512	1758	1766	2054	2415	2808
	90/70		1235	1437	1590	1849	1925	2238	2249	2615	3067	3566
2300	75/65		1016	1181	1307	1519	1581	1838	1846	2147	2525	2936
	90/70		1292	1502	1662	1933	2012	2340	2351	2734	3205	3727
2400	75/65		1060	1232	1363	1585	1649	1918	1926	2240	2635	3064
	90/70		1347	1567	1735	2017	2100	2442	2454	2853	3345	3890
2500	75/65		1104	1284	1419	1650	1718	1998	2007	2333	2745	3192
	90/70		1404	1632	1806	2100	2187	2543	2556	2972	3484	4051
2600	75/65		1148	1335	1477	1717	1787	2077	2087	2427	2855	3319
	90/70		1460	1698	1879	2185	2276	2646	2657	3090	3624	4214
2700	75/65		1192	1386	1533	1782	1855	2157	2167	2520	2964	3446
	90/70		1517	1764	1951	2268	2363	2747	2760	3210	3764	4376
2800	75/65		1237	1438	1590	1849	1925	2238	2247	2613	3074	3574
	90/70		1572	1828	2023	2353	2450	2849	2862	3328	3902	4538
2900	75/65		1281	1489	1647	1915	1994	2318	2327	2706	3184	3702
	90/70		1629	1894	2096	2437	2538	2951	2965	3447	4042	4700
3000	75/65		1325	1541	1704	1981	2062	2398	2408	2800	3294	3830
	90/70		1685	1960	2168	2521	2625	3052	3067	3566	4181	4861

TP21RADIATOR YELLOW SERIES-21 TYPE



PANEL TYPES	PRODUCT CODES	RRP (IN £)
40HX60W	21PK40HX60W-YELLOW	£68.00
40HX80W	21PK40HX80W-YELLOW	£90.00
40HX100W	21PK40HX100W-YELLOW	£119.00
50HX80W	21PK50HX80W-YELLOW	£115.00
50HX100W	21PK50HX100W-YELLOW	£135.00
50HX120W	21PK50HX120W-YELLOW	£169.00
50HX140W	21PK50HX140W-YELLOW	£190.00
60HX60W	21PK60HX60W-YELLOW	£99.00
60HX80W	21PK60HX80W-YELLOW	£119.00
60HX100W	21PK60HX100W-YELLOW	£157.00
60HX120W	21PK60HX120W-YELLOW	£189.00
60HX140W	21PK60HX140W-YELLOW	£224.00
60HX160W	21PK60HX160W-YELLOW	£260.00
60HX180W	21PK60HX180W-YELLOW	£285.00

FITTING DIMENSIONS AND BRACKET DETAILS



TP21RADIATOR HEAT OUTPUT

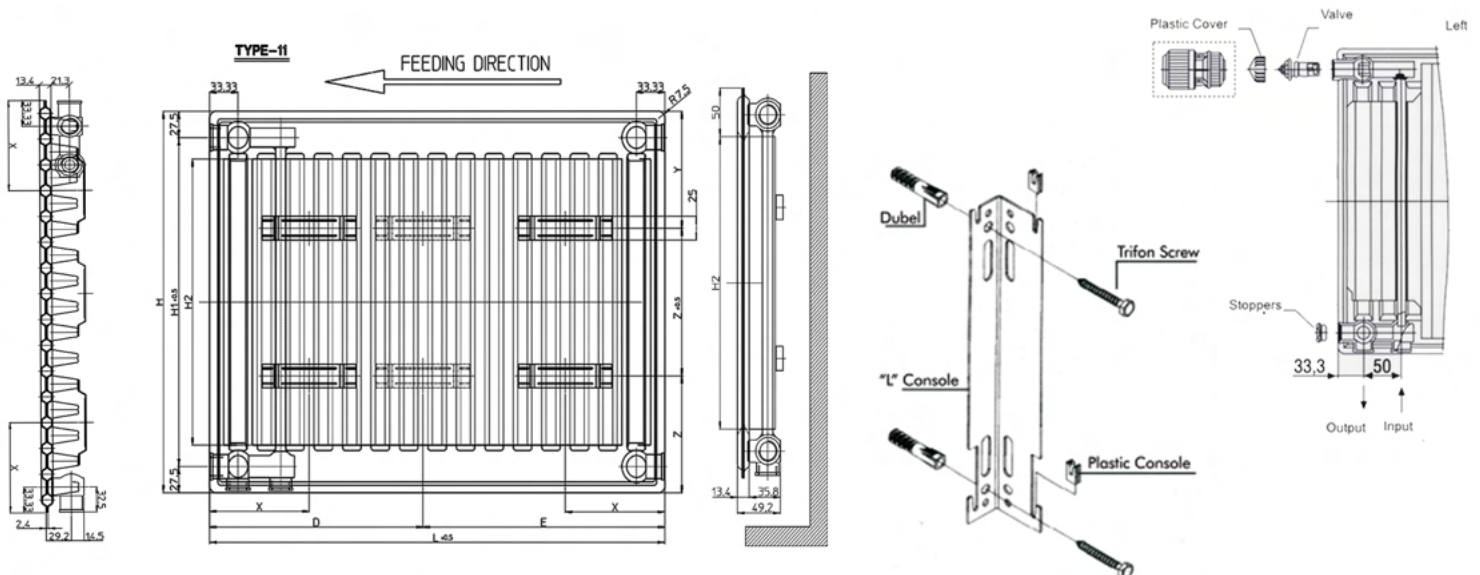
TYPE 21	Temperature	300		400		500		600		900	
LENGTH	°C	kCal/h	Watt	kCal/h	Watt	kCal/h	Watt	kCal/h	Watt	kCal/h	Watt
300	75/65	205	238	260	302	312	363	359	417	476	553
	90/70	261	304	331	385	397	462	458	533	609	708
400	75/65	273	318	346	403	416	483	478	556	634	738
	90/70	348	405	442	513	529	616	611	710	812	944
500	75/65	342	398	433	504	519	604	598	696	792	921
	90/70	434	505	551	641	663	771	764	888	1015	1180
600	75/65	411	477	520	605	624	725	718	834	951	1106
	90/70	521	606	661	769	795	925	916	1065	1217	1415
700	75/65	479	557	606	705	727	846	837	973	1110	1291
	90/70	608	707	772	897	928	1078	1069	1243	1420	1651
800	75/65	547	636	693	806	831	966	957	1113	1268	1474
	90/70	695	808	882	1026	1060	1232	1221	1420	1623	1887
900	75/65	615	716	780	907	936	1088	1076	1252	1427	1659
	90/70	782	910	992	1154	1192	1386	1374	1598	1826	2123
1000	75/65	684	795	867	1008	1039	1209	1196	1390	1586	1844
	90/70	869	1011	1103	1282	1325	1540	1527	1775	2028	2359
1100	75/65	753	875	954	1109	1143	1329	1316	1530	1745	2029
	90/70	956	1112	1213	1411	1457	1694	1680	1953	2231	2595
1200	75/65	821	955	1039	1209	1247	1450	1435	1669	1902	2212
	90/70	1043	1213	1323	1539	1589	1848	1833	2131	2434	2831
1300	75/65	890	1035	1126	1310	1351	1571	1554	1807	2061	2397
	90/70	1129	1313	1434	1667	1723	2003	1985	2308	2637	3067
1400	75/65	957	1113	1213	1411	1455	1692	1675	1947	2220	2582
	90/70	1217	1415	1544	1796	1855	2157	2138	2486	2840	3303
1500	75/65	1026	1193	1300	1512	1558	1812	1794	2086	2378	2765
	90/70	1304	1516	1654	1923	1987	2311	2290	2663	3043	3539
1600	75/65	1095	1273	1386	1611	1663	1934	1913	2225	2537	2950
	90/70	1391	1617	1764	2051	2120	2465	2444	2841	3246	3775
1700	75/65	1163	1353	1473	1712	1767	2054	2033	2364	2696	3135
	90/70	1478	1718	1874	2179	2252	2619	2596	3018	3449	4011
1800	75/65	1232	1432	1560	1813	1870	2175	2153	2503	2854	3318
	90/70	1565	1819	1985	2308	2384	2773	2749	3196	3651	4245
1900	75/65	1299	1511	1646	1914	1974	2295	2272	2642	3012	3503
	90/70	1652	1921	2095	2436	2517	2926	2901	3373	3854	4481
2000	75/65	1368	1591	1733	2015	2079	2417	2392	2782	3171	3688
	90/70	1739	2022	2205	2565	2649	3080	3054	3551	4057	4717
2100	75/65	1437	1671	1819	2115	2182	2538	2511	2920	3329	3871
	90/70	1826	2123	2316	2693	2783	3235	3206	3728	4260	4953
2200	75/65	1505	1750	1906	2216	2286	2658	2631	3059	3488	4056
	90/70	1912	2223	2426	2821	2915	3389	3360	3906	4463	5189
2300	75/65	1574	1830	1993	2317	2391	2780	2751	3199	3647	4241
	90/70	1999	2324	2537	2950	3047	3543	3513	4085	4666	5425
2400	75/65	1641	1909	2080	2418	2494	2900	2870	3337	3805	4424
	90/70	2086	2425	2646	3077	3180	3697	3665	4261	4869	5661
2500	75/65	1710	1988	2167	2519	2598	3021	2989	3476	3964	4609
	90/70	2173	2527	2756	3205	3312	3851	3818	4440	5072	5897
2600	75/65	1779	2068	2252	2619	2702	3142	3110	3616	4123	4794
	90/70	2260	2628	2867	3333	3444	4005	3970	4616	5275	6133
2700	75/65	1847	2148	2339	2720	2806	3263	3229	3755	4281	4978
	90/70	2347	2729	2977	3462	3577	4159	4123	4795	5478	6369
2800	75/65	1916	2228	2426	2821	2910	3383	3348	3893	4439	5162
	90/70	2434	2830	3087	3590	3709	4313	4275	4971	5681	6605
2900	75/65	1983	2306	2513	2922	3013	3504	3468	4033	4598	5347
	90/70	2521	2931	3198	3718	3841	4467	4429	5150	5882	6840
3000	75/65	2052	2386	2599	3022	3118	3626	3588	4172	4757	5531
	90/70	2607	3032	3308	3847	3975	4622	4581	5326	6085	7076

TP22RADIATOR RED SERIES-22 TYPE



PANEL TYPE	PRODUCT CODES	RRP (IN £)
50HX80W	22PK50HX80W-RED	£149.00
50HX100W	22PK50HX100W-RED	£179.00
50HX120W	22PK50HX120W-RED	£209.00
60HX80W	22PK60HX80W-RED	£165.00
60HX100W	22PK60HX100W-RED	£199.00
60HX120W	22PK50HX120W-RED	£235.00
60HX140W	22PK140HX140W-RED	£285.00
60HX160W	22PK160HX60W-RED	£329.00
60HX180W	22PK180HX80W-RED	£470.00

FITTING DIMENSIONS AND BRACKET DETAILS



TP22RADIATOR HEAT OUTPUT

TYPE 22	Temperature	300		400		500		600		900	
LENGTH	°C	kCal/h	Watt	kCal/h	Watt	kCal/h	Watt	kCal/h	Watt	kCal/h	Watt
300	75/65	265	308	338	393	403	469	465	540	618	718
	90/70	337	392	429	499	514	598	594	691	790	918
400	75/65	353	411	449	523	538	625	620	721	825	959
	90/70	449	522	573	666	685	797	792	920	1054	1225
500	75/65	441	513	562	654	672	781	775	901	1030	1198
	90/70	561	653	715	832	857	996	990	1151	1317	1531
600	75/65	529	616	674	784	806	938	930	1082	1237	1438
	90/70	674	783	859	999	1028	1195	1187	1381	1581	1838
700	75/65	618	719	787	915	941	1094	1086	1262	1442	1677
	90/70	785	913	1001	1164	1199	1395	1386	1611	1843	2144
800	75/65	707	822	899	1045	1075	1250	1240	1442	1649	1918
	90/70	898	1044	1145	1331	1372	1595	1584	1842	2107	2450
900	75/65	795	924	1012	1176	1210	1407	1395	1622	1855	2157
	90/70	1011	1175	1288	1497	1543	1794	1782	2072	2370	2756
1000	75/65	883	1026	1123	1306	1344	1563	1550	1803	2060	2396
	90/70	1122	1305	1430	1663	1714	1994	1980	2302	2634	3063
1100	75/65	972	1130	1236	1438	1478	1719	1705	1983	2267	2636
	90/70	1235	1436	1574	1830	1886	2193	2177	2532	2897	3369
1200	75/65	1060	1232	1349	1569	1613	1875	1861	2164	2473	2875
	90/70	1347	1566	1716	1996	2057	2392	2376	2762	3161	3676
1300	75/65	1148	1335	1461	1699	1748	2033	2016	2344	2679	3115
	90/70	1459	1697	1860	2163	2228	2591	2573	2992	3424	3981
1400	75/65	1236	1437	1574	1830	1883	2189	2170	2523	2885	3354
	90/70	1572	1828	2003	2329	2400	2790	2771	3223	3688	4288
1500	75/65	1325	1541	1686	1960	2017	2345	2325	2704	3092	3595
	90/70	1683	1958	2146	2496	2571	2990	2970	3453	3951	4594
1600	75/65	1413	1643	1799	2091	2152	2502	2481	2884	3297	3834
	90/70	1796	2088	2289	2662	2742	3189	3167	3683	4215	4901
1700	75/65	1501	1746	1910	2221	2286	2658	2636	3065	3504	4074
	90/70	1908	2218	2433	2829	2914	3388	3366	3914	4478	5207
1800	75/65	1589	1848	2023	2353	2420	2814	2791	3245	3709	4313
	90/70	2020	2349	2575	2994	3085	3587	3563	4143	4742	5513
1900	75/65	1678	1952	2135	2483	2555	2971	2945	3425	3915	4552
	90/70	2133	2480	2719	3162	3257	3787	3761	4374	5005	5819
2000	75/65	1766	2054	2248	2614	2689	3127	3100	3605	4122	4793
	90/70	2245	2610	2862	3327	3428	3986	3959	4603	5268	6126
2100	75/65	1854	2156	2360	2744	2824	3283	3256	3786	4327	5032
	90/70	2357	2741	3004	3493	3599	4185	4157	4834	5531	6432
2200	75/65	1943	2259	2473	2875	2958	3439	3411	3966	4534	5272
	90/70	2470	2872	3148	3660	3771	4384	4355	5063	5794	6738
2300	75/65	2031	2361	2584	3005	3092	3596	3566	4147	4740	5511
	90/70	2582	3002	3290	3826	3943	4585	4553	5294	6058	7044
2400	75/65	2120	2465	2697	3136	3227	3752	3720	4326	4946	5751
	90/70	2694	3133	3434	3993	4114	4784	4751	5525	6321	7350
2500	75/65	2208	2567	2810	3268	3361	3908	3876	4506	5152	5990
	90/70	2806	3263	3577	4159	4286	4983	4949	5754	6585	7657
2600	75/65	2296	2670	2922	3398	3496	4065	4031	4687	5358	6231
	90/70	2918	3393	3720	4326	4457	5182	5147	5985	6848	7963
2700	75/65	2384	2772	3035	3529	3630	4221	4186	4867	5564	6470
	90/70	3031	3524	3863	4492	4628	5382	5345	6215	7112	8270
2800	75/65	2473	2876	3147	3659	3764	4377	4341	5048	5771	6710
	90/70	3143	3654	4007	4659	4800	5581	5543	6445	7375	8575
2900	75/65	2561	2978	3260	3790	3899	4533	4496	5228	5976	6949
	90/70	3255	3785	4149	4825	4971	5780	5740	6675	7639	8882
3000	75/65	2649	3080	3371	3920	4033	4690	4651	5408	6182	7188
	90/70	3367	3915	4292	4990	5142	5979	5939	6906	7902	9188


STEEL PANEL RADIATOR WATER CAPACITY (L)

LENGTH (MM)	HEIGHT (MM)	TYPE 11 PK					TYPE 21 PKP					TYPE 22 PKKP				
		300	400	500	600	900	300	400	500	600	900	300	400	500	600	900
400	L	1,50	1,74	1,92	2,16	3,28	1,54	1,96	2,41	2,80	4,17	1,56	1,98	2,43	2,83	4,21
500	L	1,79	2,13	2,34	2,63	4,00	1,83	2,39	2,93	3,43	5,08	1,85	2,41	2,96	3,46	5,13
600	L	2,05	2,38	2,62	2,95	4,47	2,10	2,67	3,28	3,83	5,67	2,12	2,70	3,31	3,87	5,73
700	L	2,30	2,70	2,97	3,34	5,08	2,37	3,04	3,71	4,36	6,44	2,39	3,07	3,75	4,40	6,50
800	L	2,56	3,03	3,33	3,75	5,70	2,64	3,42	4,17	4,87	7,23	2,67	3,45	4,21	4,92	7,30
900	L	2,82	3,38	3,71	4,18	6,35	2,90	3,81	4,64	5,45	8,05	2,93	3,85	4,69	5,50	8,13
1000	L	3,08	3,60	3,96	4,47	6,78	3,17	4,06	4,96	5,86	8,59	3,20	4,10	5,01	5,92	8,68
1100	L	3,34	3,93	4,32	4,87	7,39	3,44	4,42	5,41	6,39	9,37	3,47	4,46	5,46	6,45	9,46
1200	L	3,60	4,24	4,66	5,25	7,98	3,70	4,77	5,84	6,89	10,12	3,74	4,82	5,90	6,96	10,22
1300	L	3,86	4,56	5,01	5,64	8,57	3,97	5,14	6,27	7,43	10,87	4,01	5,19	6,33	7,50	10,98
1400	L	4,12	4,87	5,35	6,03	9,16	4,24	5,48	6,69	7,93	11,61	4,28	5,54	6,76	8,01	11,73
1500	L	4,37	5,27	5,77	6,50	9,84	4,49	5,93	7,24	8,54	12,47	4,54	5,99	7,31	8,63	12,60
1600	L	4,63	5,58	6,12	6,88	10,43	4,76	6,28	7,66	9,05	13,23	4,81	6,34	7,74	9,14	13,36
1700	L	4,89	5,89	6,46	7,27	11,01	5,03	6,62	8,09	9,55	13,97	5,08	6,69	8,17	9,65	14,11
1800	L	5,15	6,20	6,80	7,65	11,60	5,30	6,98	8,51	10,07	14,71	5,35	7,05	8,60	10,17	14,86
1900	L	5,41	6,56	7,18	8,08	12,23	5,56	7,39	9,00	10,61	15,51	5,62	7,46	9,09	10,72	15,67
2000	L	5,67	6,91	7,57	8,51	12,87	5,83	7,77	9,47	11,19	16,32	5,89	7,85	9,57	11,30	16,48
2100	L	5,93	7,22	7,91	8,89	13,46	6,10	8,14	9,91	11,69	17,07	6,16	8,22	10,01	11,81	17,24
2200	L	6,19	7,54	8,25	9,28	14,05	6,37	8,49	10,34	12,20	17,81	6,43	8,58	10,44	12,32	17,99
2300	L	6,44	7,87	8,62	9,69	14,67	6,63	8,86	10,79	12,72	18,60	6,70	8,95	10,90	12,85	18,79
2400	L	6,70	8,20	8,98	10,10	15,29	6,89	9,23	11,25	13,28	19,38	6,96	9,32	11,36	13,41	19,58
2500	L	6,96	8,53	9,35	10,51	15,92	7,17	9,61	11,71	13,82	20,18	7,24	9,71	11,83	13,96	20,38
2600	L	7,22	8,87	9,71	10,93	16,55	7,43	9,98	12,17	14,36	20,99	7,50	10,08	12,29	14,51	21,20
2700	L	7,47	9,20	10,09	11,35	17,18	7,69	10,37	12,63	14,92	21,79	7,77	10,47	12,76	15,07	22,01
2800	L	7,74	9,54	10,46	11,76	17,81	7,96	10,73	13,10	15,45	22,58	8,04	10,84	13,23	15,61	22,81
2900	L	7,90	9,88	10,82	12,18	18,45	8,13	11,12	13,55	16,01	23,39	8,21	11,23	13,69	16,17	23,63
3000	L	8,07	10,21	11,19	12,59	19,08	8,30	11,49	14,02	16,55	24,20	8,38	11,61	14,16	16,72	24,44


WEIGHTS IN KGS

	TYPE 11 PK					TYPE 21 PKP					TYPE 22 PKKP				
	300	400	500	600	900	300	400	500	600	900	300	400	500	600	900
400	3,25	4,33	5,55	6,40	10,00	6,07	8,00	10,23	11,71	18,26	6,50	8,65	11,10	12,80	20,00
500	4,05	5,20	6,70	7,80	12,38	7,56	9,59	12,32	14,24	22,58	8,10	10,40	13,40	15,60	24,75
600	4,80	6,13	7,85	9,20	14,60	8,95	11,27	14,40	16,77	26,59	9,60	12,25	15,70	18,40	29,20
700	5,55	7,00	8,95	10,50	16,50	10,34	12,86	16,38	19,10	29,96	11,10	14,00	17,90	21,00	33,00
800	6,15	8,05	10,20	11,95	18,25	11,43	14,80	18,66	21,72	33,02	12,30	16,10	20,40	23,90	36,50
900	6,75	9,00	11,25	13,55	20,40	12,52	16,53	20,55	24,65	36,89	13,50	18,00	22,50	27,10	40,80
1000	7,53	10,05	12,55	15,08	22,25	13,97	18,47	22,93	27,43	40,15	15,05	20,10	25,10	30,15	44,50
1100	8,00	10,75	13,60	16,35	24,55	14,81	19,71	24,81	29,71	44,32	16,00	21,50	27,20	32,70	49,10
1200	8,75	11,70	14,75	17,25	26,75	16,20	21,44	26,90	31,24	48,28	17,50	23,40	29,50	34,50	53,50
1300	9,35	12,60	15,95	18,85	28,55	17,29	23,08	29,08	34,16	51,45	18,70	25,20	31,90	37,70	57,10
1400	9,80	13,60	17,10	20,40	30,75	18,08	24,92	31,16	36,99	55,41	19,60	27,20	34,20	40,80	61,50
1500	11,05	14,58	18,25	21,70	32,70	20,47	26,71	33,25	39,32	58,88	22,10	29,15	36,50	43,40	65,40
1600	12,00	15,40	19,60	23,05	35,60	22,26	28,19	35,73	41,75	64,24	24,00	30,80	39,20	46,10	71,20
1800	12,95	17,53	21,80	26,10	41,80	23,95	32,12	39,69	47,30	75,77	25,90	35,05	43,60	52,20	83,60
2000	14,25	19,10	24,15	28,90	44,55	26,33	34,94	43,96	52,36	80,40	28,50	38,20	48,30	57,80	89,10
2200	15,75	20,75	26,50	31,63	48,40	29,11	37,91	48,23	57,27	87,23	31,50	41,50	53,00	63,25	96,80
2400	17,00	22,48	28,85	34,58	52,50	31,40	41,04	52,49	62,62	94,56	34,00	44,95	57,70	69,15	105,00
2600	18,55	23,75	31,15	37,48	57,05	34,28	43,26	56,66	67,88	102,79	37,10	47,50	62,30	74,95	114,10
2800	19,98	25,55	33,40	40,25	61,25	36,91	46,54	60,72	72,88	110,32	39,95	51,10	66,80	80,50	122,50
3000	21,25	27,35	35,63	43,00	65,50	39,25	49,81	64,74	77,84	117,95	42,50	54,70	71,25	86,00	131,00


HEATING | TOWEL RAILS

CHROME	CODE	SIZE	TUBE COUNT	PRICE
	TR83-CH	H800xW300mm	16pcs	£85.00
	TR84-CH	H800xW400mm	16pcs	£95.00
	TR85-CH	H800xW500mm	16pcs	£105.00
	TR1050-CH	H1000xW500mm	17pcs	£115.00
	TR1250-CH	H1200xW500mm	20pcs	£135.00
	TR1260-CH	H1200xW600mm	20pcs	£145.00
	TR1450-CH	H1400xW500mm	24pcs	£159.00
	TR1650-CH	H1600xW500mm	28pcs	£169.00

BRUSHED GOLD	CODE	SIZE	TUBE COUNT	PRICE
	TR85-BG	H800xW500mm	16pcs	£239.00
	TR1050-BG	H1000xW500mm	17pcs	£269.00
	TR1250-BG	H1200xW500mm	20pcs	£285.00
	TR1260-BG	H1200xW600mm	20pcs	£299.00
	TR1450-BG	H1400xW500mm	24pcs	£325.00

MATT BLACK	CODE	SIZE	TUBE COUNT	PRICE
	TR85-MB	H800xW500mm	16pcs	£99.00
	TR1050-MB	H1000xW500mm	17pcs	£119.00
	TR1250-MB	H1200xW500mm	20pcs	£129.00
	TR1260-MB	H1200xW600mm	20pcs	£149.00
	TR1450-MB	H1400xW500mm	24pcs	£169.00
	TR1650-MB	H1600xW500mm	28pcs	£179.00

BRUSHED ROSE GOLD	CODE	SIZE	TUBE COUNT	PRICE
	TR85-BRG	H800xW500mm	16pcs	£249.00
	TR1050-BRG	H1000xW500mm	17pcs	£279.00
	TR1250-BRG	H1200xW500mm	20pcs	£299.00
	TR1260-BRG	H1200xW600mm	20pcs	£310.00
	TR1450-BRG	H1400xW500mm	24pcs	£329.00

BRUSHED NICKEL	CODE	SIZE	TUBE COUNT	PRICE
	TR85-BN	H800xW500mm	16pcs	£249.00
	TR1050-BN	H1000xW500mm	17pcs	£279.00
	TR1250-BN	H1200xW500mm	20pcs	£299.00
	TR1260-BN	H1200xW600mm	20pcs	£310.00
	TR1450-BN	H1400xW500mm	24pcs	£329.00

HEATING | RADIATOR VALVES

CHROME



RRV10S-CH
Straight radiator valve
£27.00



RRV10A-CH
Angled radiator valve
£27.00



CRV10-CH
Corner radiator valve
£39.00

BRUSHED GOLD



RRV10S-BG
Straight radiator valve
£69.00



RRV10A-BG
Angled radiator valve
£69.00



CRV10-BG
Corner radiator valve
£75.00

MATT BLACK



RRV10S-MB
Straight radiator valve
£59.00



RRV10A-MB
Angled radiator valve
£59.00



CRV10-MB
Corner radiator valve
£69.00

BRUSHED ROSE GOLD



RRV10S-BRG
Straight radiator valve
£75.00



RRV10A-BRG
Angled radiator valve
£75.00



CRV10-BRG
Corner radiator valve
£85.00

BRUSHED NICKEL



RRV10S-BN
Straight radiator valve
£75.00



RRV10A-BN
Angled radiator valve
£75.00



CRV10-BN
Corner radiator valve
£85.00

SMART THERMOSTAT



ELE150W
Power: 150W
£135.00



ELE300W
Power: 300W
£165.00



ELE600W
Power: 600W
£175.00



CODE
T-Joint
£14.00



PANEL RADIATOR

Top-Notch

Materials To The Incorporation Of Advanced Techniques



ENERGY-EFFICIENT



RUST-FREE



Follow us: 